



# Agitators

Agitators, Quick Mixers & Accessories

Binks has developed a complete upgrade to the agitators used in conjunction with existing pressure tanks (both light and heavy-duty applications).

The new worm gear agitator drive units offer:

- Superior oil drainage
- No need for safety guards (no exposed drive parts)
- 15:1 reduction (versus 20:1) that requires less air consumption for the same output shaft speed
- Backward compatibility for easy upgrades on current and past pressure tanks.

## Quick Reference Index

Assemblies.....	4-9
Quick Mixers.....	10
Bung Agitators.....	11
Agitator Assemblies.....	12
Agitator Drives.....	13
Agitators, Covers & Accessories.....	14
Accessories.....	15-19

Look for these **Container Icons** throughout this catalog to assist in finding the perfect agitation solution for the containers you use.



### LARGE TANKS (30 & 60 GALLONS)

MODEL	DESCRIPTION	SECTION	PAGE
31-385	Oscillating Air Motor Drive	Assemblies	8
31-396	Air Motor Drive & Gear Reducer	Assemblies	9
83-2476	Heavy Duty Agitator Drive	Assemblies	16



### OPEN DRUMS (55 GALLONS)

MODEL	DESCRIPTION	SECTION	PAGE
31-120	Agitator Assembly (C-Clamp)	Assemblies	12
31-124	Drum Cover for 55 Gallon Drums	Accessories	17
31-129	Direct Drive SS Agitator w/Zinc/Clear Chromate Cover	Assemblies	5/18
31-393	Air Motor and Gear Drive only	Assemblies	4
31-397	Gear Agitator w/Zinc Plated Clear Chromate Cover	Assemblies	7
31-400	Gear Drive Agitator Assembly less Cover (SS fitted)	Assemblies	6
31-401	Gear Drive Agitator (drive only)	Assemblies	6
41-3300	Direct Drive Agitator & Drive Assembly (CS) (AL)	Accessories	5/18
41-3304	Direct Drive Agitator & Drive Assembly (SS) (less cover)	Accessories	5/18
41-3305	SS Agitator less gear drive	Accessories	6/18
41-9000	Elevator	Accessories	17
149-693*	Quick Mixer (mixer only, SS) less air motor	Quick Mixers	10
149-874*	Quick Mixer for 55 Gallon Drums (SS)	Quick Mixers	10
202-55-2	2-Paddle Gear Agitator w/Cover	Assemblies	7
202-55-4	4-Paddle Gear Agitator w/Cover	Assemblies	7
843001	Direct Drive Agitator Assy. (SS) (less cover)	Agitators	14
874506	Drum Cover for 55 Gallon Drums (SS)	Assemblies	14/17

\*Hand Held

### CLOSED DRUMS (55 GALLONS)

MODEL	DESCRIPTION	SECTION	PAGE
31-296	Heavy Duty Bung Agitator	Bung Agitators	11



### CLOSED DRUMS (55 GALLONS—WITH BUILT-IN AGITATORS)

MODEL	DESCRIPTION	SECTION	PAGE
31-393	Air Motor & Gear Drive only less bracket (mtg.) & drive adapters	Assemblies	4
31-394	Agitator Drive for Built-In Agitator (complete)	Accessories	4
QS-5003	Paint Drum Agitator Drive w/Bung Adapter (for 1/2 in. & 7/16 in. drive shaft)	Accessories	17



### PRESSURE TANKS (2, 5, 10 AND 15 GALLONS)

MODEL	DESCRIPTION	SECTION	PAGE
31-381	Oscillating Air Motor Drive	Agitator Drives	13
31-385	Oscillating Air Motor Drive (old style tanks)	Assemblies	8
PT-418	Air Motor & Adapter for 83C	Accessories	16
PT-419	SS Shaft Assembly for 83Z	Accessories	16
PT-427	Air Motor & Adapter for 83Z	Accessories	16
PT-428	Shaft Assembly for 83C	Accessories	16
QM-142	Hand Crank	Accessories	15
QMG-416	Direct Drive Agitator for QMG & 83G	Accessories	15
QMS-430	Direct Drive Agitator for QMS & 83S	Accessories	15
QS-5012	Indirect Air Motor Drive	Accessories	16



### PAILS (5 GALLONS)

MODEL	DESCRIPTION	SECTION	PAGE
31-133	Direct Drive (SS fitted) w/Zinc/Clear Chromate Cover	Agitators & Covers	14/19
41-3205	Pail Cover	Accessories	19
41-3306	Agitator & Drive Assembly (CS) (AL) (less cover)	Accessories	14/19
41-3312	Agitator & Drive Assembly (SS Fitted) (less cover)	Accessories	14/19
149-365	Quick Mixer (SS) mixer only, less air motor	Quick Mixers	10
149-873	Quick Mixer for 5 & 10 Gallon Pails	Quick Mixers	10
843000	Direct Drive Agitator Assembly (less cover)	Agitators & Covers	14
874502	5 Gallon Cover (SS)	Agitators & Covers	14



### PAILS (10 GALLONS)

MODEL	DESCRIPTION	SECTION	PAGE
149-365*	Quick Mixer (SS) mixer only, less air motor	Quick Mixers	10
149-873*	Quick Mixer for 5 & 10 Gallon Pails	Quick Mixers	10

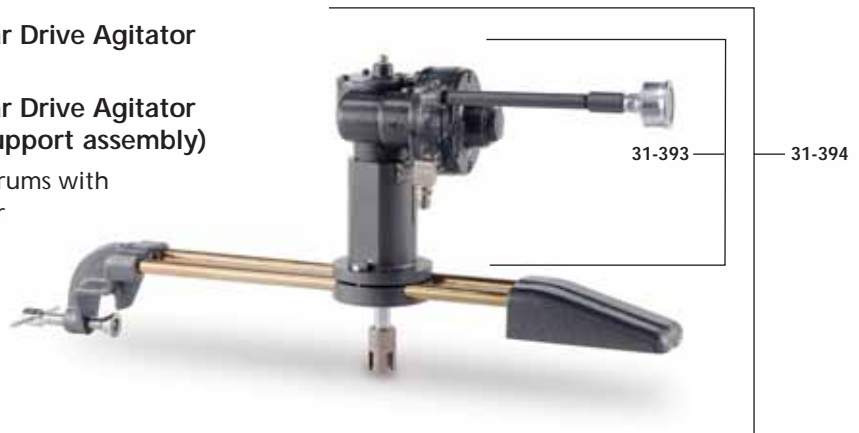


\*Hand Held



## Binks gear drive agitators for 55 gallon drums

- Model 31-393 Gear Drive Agitator (drive only)
- Model 31-394 Gear Drive Agitator (complete with support assembly)
  - For 55 gallon drums with built-in agitator



*Furnished with:*

- 1/2 HP air motor
- 15:1 gear-reducer drive (40 RPM)
- Four shaft adapter couplings: 3/8 in. dia., 7/16 in., 1/2 in. and 5/8 in. square

*Shipping weight:* 32 lbs.

*Ref. Part Sheet:* 77-2805

*Speed:* Speed of the air motor is regulated by an air adjusting valve (part no. HAV-500). The speed of the agitator shaft below the reduction gear box should not run faster than 30 to 40 RPM maximum.

*Air Supply:* Air used to operate this unit should come directly from a high pressure source; do not use air that has passed through a regulator. Air supply to the motor should be a minimum of 60 psi gauge pressure.

*An air filter and moisture trap is recommended.*

## Binks direct drive agitator for light body materials in open top 55 gallon drums



- **Model 31-129 Direct Drive Agitator (with cover)**
- **Model 41-3300 Direct Drive Agitator (less cover)**
- **Model 41-3304 Direct Drive Agitator (less cover)**
  - For light body materials such as stains and lacquers

*Shipping weight:* 33 lbs.

*Ref. Part Sheet:* 77-1390

*Speed:* 3000 RPM maximum

*Air Supply:* Air supply to the motor should be a minimum of 60 psi gauge.

*An air filter and moisture trap is recommended.*

### Specifications:

Model Number:	41-3300	41-3304
Container Size:	55 Gallon Drum	55 Gallon Drum
<b>Motor Specifications</b>		
Air Motor Model:	Direct	Direct
HP:	3/4	3/4
CFM:	10-14	10-14
<b>Shaft Specifications</b>		
Material:	Stainless Steel	Stainless Steel
Mount:	Flange	Flange
Diameter:	1/2 in. (12.7 mm)	1/2 in. (12.7 mm)
<b>Propeller Specifications</b>		
Number of Props:	2	2
Diameter:	4-1/2 in. (114.3 mm)	4-1/2 in. (114.3 mm)
Material:	Aluminum	Stainless Steel

### Specifications:

Model Number:	31-129
Container Size:	55 Gallon Drum
<b>Motor Specifications</b>	
Air Motor Model:	Direct
HP:	3/4
CFM:	10-14
<b>Shaft Specifications</b>	
Material:	Stainless Steel
Mount:	Flange
Diameter:	1/2 in. (12.7 mm)
<b>Propeller Specifications</b>	
Number of Props:	2
Diameter:	4-1/2 in. (114.3 mm)
Material:	Stainless Steel
<b>Cover Specifications</b>	
Part Number:	31-124
Size:	55 Gallon Cover
Material:	Zinc Plate & Clear Chromate





## Binks gear drive agitator for open top 55 gallon drums

- Model 31-400 Gear Drive Agitator Complete Assembly (less cover)
- Model 31-401 Gear Drive Agitator (drive only)
- Model 41-3305 (agitator only)
  - 55 gallon gear driven drum cover agitator unit

*Speed :* Speed of the air motor is regulated by an air adjusting valve (part no. HAV-500). The speed of the agitator shaft below the gear box is 30 to 40 RPM and should not run faster than 40 RPM amximum.

*Ref. Part Sheet:* 77-2804

*An air filter and moisture trap are recommended.*



31-401



41-3305



## Binks gear drive agitator for heavy fluids in open top 55 gallon drums



### ■ Model 31-397 Gear Drive Agitator (with cover)

- For open top 55 gallon drums
- Gear drive, 40 RPM
- For heavier fluids such as paints and mastics

*Furnished with:*

- 1/2 HP air motor (10 to 14 CFM)
- Two 14-1/2 in. diameter stainless steel paddles with stainless steel shaft
- Zinc Plated Clear Chromate cover (31-124)

*Ref. Part Sheet: 77-2804*

*Speed:* Speed of the air motor is regulated by an air adjusting valve (part no. HAV-500). The speed of the agitator shaft below the reduction gear box should not run faster than 30 to 40 RPM maximum.

*Air Supply:* Air used to operate this unit should come directly from a high pressure source; do not use air that has passed through a regulator. Air supply to the motor should be a minimum of 60 psi gauge pressure.

*An air filter and moisture trap is recommended.*

### ■ Model 202-55-2 Gear Drive Agitator (with cover)

- For open top 55 gallon drums
- Gear drive, 1 HP
- Two Stainless Steel Paddles
- For heavier fluids such as paints and mastics

*Ref. Part Sheet: 77-2814*

### ■ Model 202-55-4 Gear Drive Agitator (with cover)

- For open top 55 gallon drums
- Gear drive, 1 HP
- Four Stainless Steel Paddles
- For heavier fluids such as paints and mastics

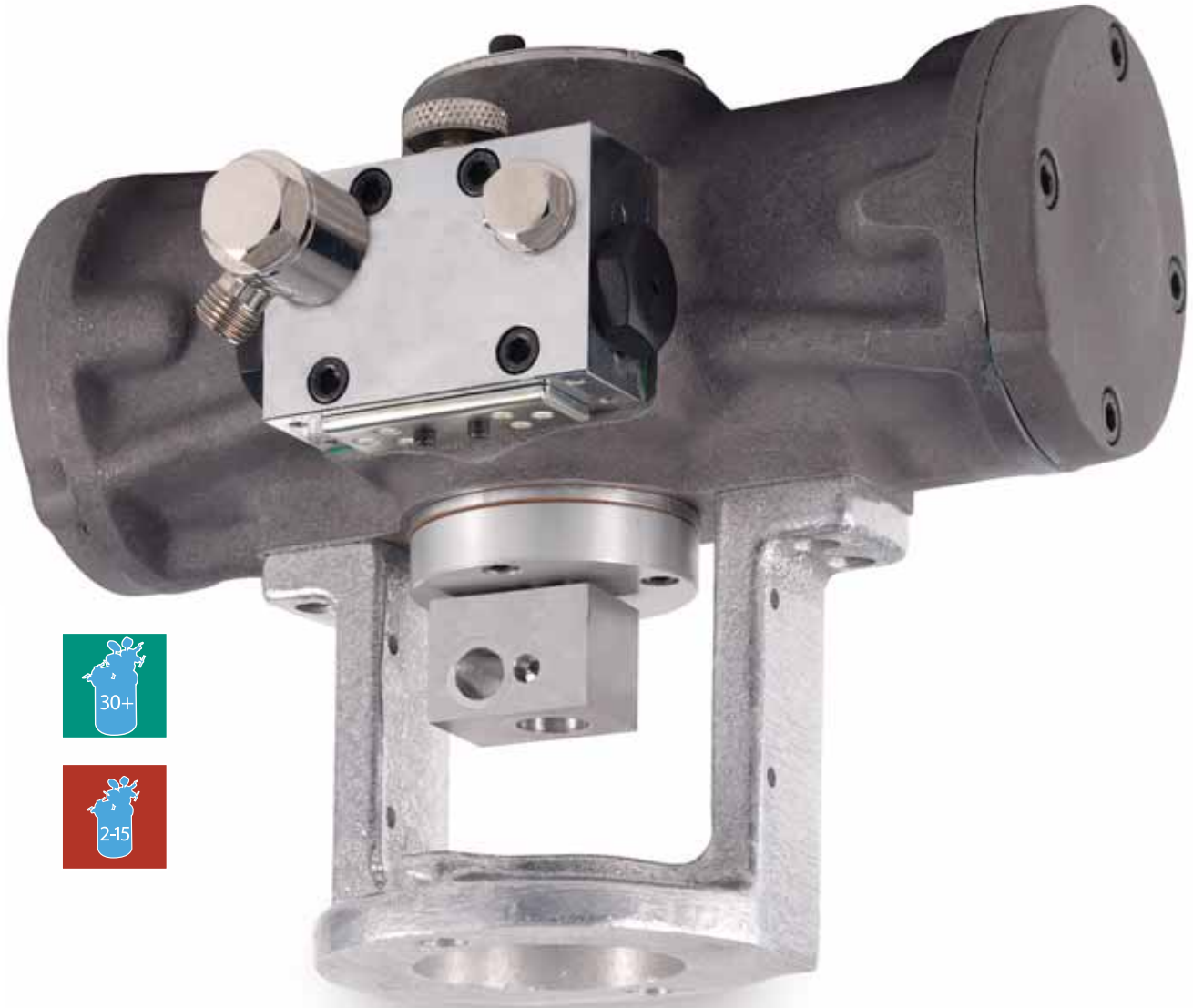
*Ref. Part Sheet: 77-2814*

**Specifications:**

Model Number:	31-397	202-55-2	202-55-4
<b>Container Size:</b>	55 Gallon Drum	55 Gallon Drum	55 Gallon Drum
<b>Motor Specifications</b>			
Air Motor Model:	Gear	Gear	Gear
HP:	1/2	1-1/2	1-1/2
CFM:	10-14	45 CFM @300 RPM @60 PSI	45 CFM @300 RPM @60 PSI
<b>Shaft Specifications</b>			
Mount:	Flange	Flange	Flange
Diameter:	1/2 in. (12.7 mm)	1 in. (25.4mm)	1 in. (25.4mm)
<b>Speed:</b>	30 to 40 RPM	300 RPM max.	300 RPM max.
<b>Propeller Specifications</b>			
Number of Props:	2	2	4
Diameter:	4-1/2 in. (114.3 mm)	—	—
Material:	Stainless Steel	Stainless Steel	Stainless Steel
<b>Cover Specifications</b>			
Model Number:	31-124		
Size:	55 Gallon		
Material:	Zinc Plated Clear Chromate Cover		
<b>Shipping Weight:</b>	60 lbs.	75 lbs.	78 lbs.



Model 202-55-2



## Binks drive unit for 30 & 60 gallon pressure tanks

### ■ Model 31-385 Oscillating Air Motor Drive

- Drive unit for continuously reversing paddle rotation
- 400 in. lbs. torque at 80 PSI
- 1-36 osc. /min (adjustable)
- 1 CFM air requirements at 10 osc. /min
- For pressure tank sizes 30 and 60 gallons (and some old style 2, 5, 10 and 15 gallon)
- Ref. Part Sheet: 77-2802



## Binks drive unit for 30, 60 gallon pressure tanks and 55 gallon drums

### ■ Model 31-396 Agitator Drive

- Air Motor Drive Unit with gear reducer
- 1/2 HP; 15:1 Ratio; 40 RPM output
- Shipping Wt.: 20 lbs.
- Ref. Part Sheet 77-2804

*Speed:* Speed of the air motor is regulated by an air adjusting valve (part no. HAV-500). The speed of the agitator shaft below the reduction gear box should not run faster than 30 to 40 RPM maximum.

*Air Supply:* Air used to operate this unit should come directly from a high pressure source; do not use air that has passed through a regulator. Air supply to the motor should be a minimum of 60 psi gauge pressure. Air consumption is 30 CFM @ 100 psi.

*An air filter and moisture trap is recommended.*





## Binks quick-mixers for container sizes of 5 to 55 gallons

Designed for standard and for extra heavy industrial uses.

**All Purpose:** Unsurpassed for paint, resins, chemicals, and slurries.

**High Performance:** Explosion-proof direct drive air motors: 1/2 HP (standard). Implosion-type high shear mixer blades thoroughly mix 5 gallons of paint in less than 60 seconds.

**Rugged:** Stainless steel shaft and impeller. Specially welded stress points makes mixer virtually unbreakable.

**Puncture-proof:** Patented double ring design eliminates damage to container.

**Speed:** The speed of the air motor is regulated by an air adjusting valve (73-159).



<b>Model No. Complete:</b>	149-873 (1/2 HP)	149-874 (1/2 HP)
<b>Model No. Stainless Steel Mixer Only:</b>	149-365 (shown)	149-693
<b>Container Size:</b>	5 and 10 gallons	55 gallons
<b>Shaft Length X Diameter:</b>	21 in. x 1/2 in.	40 in. x 1/2 in.
<b>Impeller Diameter:</b>	5 in.	5 in.
<b>Shaft Length:</b>	21 in.	40 in.
<b>Shipping Weight:</b>	9 lbs.	10 lbs.
<b>Ref. Part Sheet:</b>	77-2826	77-2826



## Binks bung agitator for closed-top 55 gallon drums



Binks Bung Agitators are easy-to-use high torque mixers with collapsible blades allowing insertion and extraction through the standard 2-in. bung in closed-top 55 gallon containers. During rotation, centrifugal force causes the blades to open.

Bung agitators are air-motor driven with 32-in. long shafts and mounted with 2 sets of blades.

### ■ Model 31-296 Heavy Duty Bung Agitator

*Furnished with:* 1 HP air motor drive

*Shipping weight:* 17 lbs.

*Ref. Part Sheet:* 77-2055

*Speed:* 3000 RPM maximum  
(regulated by 73-159  
air adjusting valve)

*Air Supply:* Air supply to the motor  
should be 60 psi gauge  
pressure minimum  
(approximately 10 CFM).





## Binks C-clamp agitators for rim mounting on 55 gallon open containers

### ■ Model 31-120

*Furnished with:* 1 HP air motor, 9-1/2 inch diameter aluminum paddles and stainless steel shaft

*Shaft length:* 32 in.

*Number of  
propellers:* 2

*Ref. Part Sheet:* 77-1617

*Speed:* 3000 RPM maximum.  
(regulated by 73-159  
air adjusting valve)

*Air Supply:* Air supply to the motor  
should be 60 psi gauge  
pressure minimum.

*An air filter and moisture trap is recommended.*





## Binks oscillating air motor drive for 5, 10 and 15 gallon pressure tanks

Binks oscillating air motor drives are designed to drive agitator paddle assemblies primarily for the agitation of paint. They generate sufficient torque for correct agitation in 5, 10, and 15 gallon pressure tanks.

Due to oscillating motion, baffles are not required inside the tank to aid agitation

### ■ Model 31-381 Oscillating Air Motor Drive

*Furnished with:*

- Oscillating Air Motor (model 31-360)
- Air Hose (model HA-57011; 1 ft long with 1/4 NPS[f] connections)
- Adapter (H-2008; 1/4 NPT[m] x 1/4 NPS[m])

*Ref. Part Sheet: 77-2788*

#### Specifications:

<b>Air Quality Required:</b>	Dirt: 5 microns Water: 44.6° F (7° C) at 101.5 PSI (7 bar) Oil: 0.1 mg/m3								
<b>Recommended Compressed Air Supply Pressure:</b>	72.5 PSI (5 bar)								
<b>Supply Connection:</b>	1/4 in. BSP (H)								
<b>Air Consumption @ 10 cycles/minute:</b>	1.0 cfm (28 litres/min.)								
<b>Shaft Connection:</b>	1/2 in. (female) Square Drive								
<b>Torque at 72.5 PSI Air Supply:</b>	22.25 ft.-lbs. (30.1 Newton-meter)								
<b>Rotation:</b>	Oscillation @ +/- 180°								
<b>Operating Range:</b>	Manual Adjustment / 10-30 cycles/minute								
<b>Performance Data:</b>	With 60 lbs. air pressure when agitating a liquid of 120 seconds viscosity (No. 4 Ford cup)								
	<table border="1"> <thead> <tr> <th>Speed (oscillations per minute)</th> <th>Approximate Air Consumption</th> </tr> </thead> <tbody> <tr> <td>20</td> <td>1.0 CFM</td> </tr> <tr> <td>30</td> <td>1.5 CFM</td> </tr> <tr> <td>40</td> <td>3.0 CFM</td> </tr> </tbody> </table>	Speed (oscillations per minute)	Approximate Air Consumption	20	1.0 CFM	30	1.5 CFM	40	3.0 CFM
Speed (oscillations per minute)	Approximate Air Consumption								
20	1.0 CFM								
30	1.5 CFM								
40	3.0 CFM								



■ **Models 843000 and 843001 (agitator assembly only)**

- Agitator assembly for use with 5 gallon (843000) or 55 gallon (843001) container. Shipping Wt: 11 lbs.

■ **Models 874502 and 874506 (drum cover only)**

- 5 Gallon Agitator Mounts to 874502 Drum Cover (SS) (order separately)
- 55 Gallon Agitator Mounts to 874506 Drum Cover (SS) (order separately)

**Specifications:**

Model Number:	843000 (shown)	843001 (not shown)
Container Size:	5 Gallon	55 Gallon Drum
<b>Motor Specifications</b>		
Air Motor Model:	QMS-428	QMS-428
HP:	3/4	3/4
RPM:	300-3000	300-3000
<b>Shaft Specifications</b>		
Material:	316SS	316SS
Mount:	Hub	Hub
Diameter:	1/2 in. (12.7 mm)	1/2 in. (12.7 mm)
Length:	12 in. (305 mm)	32 in. (813 mm)
<b>Propeller Specifications</b>		
Number of Props:	1	2
Diameter:	4 in. (102 mm)	4 in. (102 mm)
Material:	316SS	316SS
Direction:	CCW	CCW
<b>Maximum Air Inlet Pressure:</b>	100 psi (6.9 bar)	100 psi (6.9 bar)
<b>Air Inlet:</b>	1/4 in.-18 NPTF (f)	1/4 in.-18 NPTF (f)
<b>Rotation:</b>	Clockwise	Clockwise
<b>Muffler:</b>	Included*	Included*
<b>Optional Drum Cover:</b>	<b>874502</b> (shown)	<b>874506</b> (not shown)

\*83-1527 Muffler Replacement (see photo inset)



■ **Model 31-133 SS fitted with zinc plated chromate cover**

■ **Model 41-3312 SS fitted (less cover)**

- For 5 gallon pails, direct drive

*Furnished with:* 1/4 HP air motor 4 to 8 CFM  
One 3-1/8 in. diameter stainless steel propeller and shaft

*Ref. Part Sheet:* 77-1474

*Speed:* 3000 RPM maximum

*Air Supply:* Air supply to the motor should be a minimum of 60 psi gauge pressure and a maximum of 100 psi gauge pressure.

*An air filter and moisture trap is recommended.*

■ **Model 41-3306 (less cover)**

- For 5 gallon pails, direct drive

*Furnished with:* 1/4 HP air motor 4 to 8 CFM  
One 3-1/8 in. diameter aluminum propeller and steel shaft

*Ref. Part Sheet:* 77-1474

*Speed:* 3000 RPM maximum

*Air Supply:* Air supply to the motor should be a minimum of 60 psi gauge pressure and a maximum of 100 psi gauge pressure.

*An air filter and moisture trap is recommended.*

## Agitators for 2 gallon pressure tanks 83G & QMG (galvanized) 83S & QMS (stainless steel)

- **Model QMG-416 Direct Drive Agitator**  
*(for use with 83G and QMG)*
- **Model QMS-430 Direct Drive Agitator**  
*(for use with 83S and QMS)*
  - Air-powered direct drive agitator assembly with 1/4 HP air motor and a three-bladed propeller to keep materials mixed in suspension, even high solids
  - Agitator assemblies come complete with HAV-500 air adjusting valve and HA-57011 air hose assembly.
  - Stainless steel and galvanized agitator assemblies are interchangeable.
  - Shipping Wt: 8 lbs.
  - Service Bulletin Number: SBBI-19-046
- **QM-142 Hand Crank**
  - For manual operation of agitator
  - Shipping Wt: 1 lb.





Model QS-5012

## Binks direct drive agitators for galvanized, zinc plated and stainless steel pressure tanks

### ■ Model QS-5012 Indirect Air Motor Drive

- For 2-, 5-, 10- and 15-gallon 83G, 83S, QMGT, QMST tanks only
- Designed to drive agitators.
- An air filter and moisture trap is recommended.
- Standard duty, smooth running with gear reducer
- 1/4 HP; 15:1 Ratio; 20-120 RPM maximum
- Includes throttling valve, fittings, and hose for connection to air supply on tank lid.
- Air consumption:  
Approx. 6 CFM at 50 RPM.
- Shipping Wt: 11 lbs.
- Service Bulletin Number: SB-19-087



Model 83-2476

### ■ 83-2476 Heavy Duty Agitator Drive

- For 30 and 60 gallon tanks only
- Air Motor Drive Unit with gear reducer
- 1 HP; 30:1 Ratio; 15 to 50 RPM output
- Shipping Wt: 20 lbs.
- Ref. Part Sheet 77-1622
- Speed: Speed of the air motor is regulated by an Air Adjusting Valve (part no.73-159). Propeller below the reduction gear box should never be run faster than 3000 RPM maximum.
- Air Supply: Air supply to the motor should be 60 psi gauge pressure minimum. An air filter and moisture trap is recommended.

### ■ QM-142 Hand Crank

- For manual operation of agitator
- Shipping Wt: 1 lb.

### ■ 83 Series Direct Drive Agitators 83Z, 83C, 83S and 83G Series

- Use on 2-gallon models
- Air powered direct drive agitator assembly with 1/4 HP air motor and a three-bladed propeller to keep materials mixed in suspension, even high solids
- Must order air motor and shaft assemblies separately:

*For 83Z Series Stainless Steel order:*

- Model PT-427 air motor/adaptor
- Model PT-419 shaft assembly

*For 83C Series Zinc Plated order:*

- Model PT-418 air motor/adaptor
- Model PT-428 shaft assembly

*For 83G & QMGT 2-gal. Tanks order:*

- Model QMS-416 complete air motor & shaft assembly

*For 83S & QMST 2-gal. Tanks order:*

- Model QMS-430 complete air motor & shaft assembly



## Binks agitators and covers for open top 55 gallon drums and drums with built-in agitators



Model 31-124

### ■ Model 31-124 Drum Cover

- 55 Gallon drum cover
- 24 in. diameter
- Cover includes 3 holes for additional components

### ■ Model 874506 Stainless Steel Drum Cover (not shown)

- 55 Gallon drum cover
- Stainless steel
- For use with 1/2 in. diaphragm pumps and bung mounted piston pumps

### ■ QS-5003 Paint Drum Agitator Drive

- For use with paint drums having built-in agitators.
- Powerful 3/4 HP variable speed air motor
- 300-3000 RPM motor
- Requires 5 to 8 CFM of air for 50 RPM of agitator; adjustable from 10 RPM up
- Air connection: 1/4 in. NPS(M)
- Includes couplings to fit 7/16 in. and 1/2 in. agitator shafts.
- Mounting adapter fits both 1-1/2 in. and 2 in. threads
- Shipping Wt: 15 lbs.
- Service Bulletin Number: SB-19-087



Model QS-5003

### ■ Model 41-9000 Elevator

- Single post elevator for lifting 55 gallon cover-mounted pump and agitator units.
- Shipping Wt: 68 lbs.
- Reference Part Sheet: 77-1392
- Can support up to 375 lbs.



Model 41-9000



## Binks direct drive agitators, drives and covers for open top 55 gallon drums

### ■ Models 41-3300, 41-3304, 41-3305 and 31-129 for 55 Gallon Drums

- Furnished alone or as an assembly, mounted to container covers.
- Stainless steel agitator and drive assembly only

*Speed:* Speed of propeller shaft is determined by fluid, 1000 RPM maximum

*Air Supply:* Air supply to the motor should be 60 psi gauge pressure minimum.

*An air filter and moisture trap is recommended.*

41-3300 agitator and drive assembly shown



#### Specifications:

Model Number:	41-3300	41-3304
Includes:	Agitator & Drive Assembly Only	Agitator & Drive Assembly Only
Material:	Steel	Stainless Steel
Container Size:	55 Gallon Drum	55 Gallon Drum
No. of Propellers or Paddles;	2	2
Propeller/Paddle Diameter:	4-1/2 in. (Aluminum)	5-1/8 in. (SS)
Shaft Speed:	To 1000 RPM	To 1000 RPM
<b>Air Drive</b>		
Type:	Direct	Direct
HP:	1/4	1/4
CFM:	10-14	10-14
Shipping Weight:	12 lbs.	12 lbs.
Part Sheet Reference:	77-1390	77-1390

#### Specifications:

Model Number:	41-3305	31-129
Includes:	Agitator Assembly Only	Agitator Drive and Cover Assembly
Material:	Stainless Steel	Stainless Steel
Container Size:	55 Gallon Drum	55 Gallon Drum
No. of Propellers or Paddles;	—	2
Propeller/Paddle Diameter:	—	5-1/8 in. (SS)
Shaft Speed:	To 1000 RPM	To 1000 RPM
<b>Air Drive</b>		
Type:	Direct	Direct
HP:	1/4	1/4
CFM:	10-14	10-14
Shipping Weight:	10 lbs.	33 lbs.
Part Sheet Reference:	77-1657	77-1390

## Binks agitators, drives and covers for 5 gallon containers

### ■ Models 41-3306, 41-3312 and 31-133 for 5 Gallon Pails

- Furnished alone or as an assembly, mounted to container covers.
- Agitator and drive assembly only, standard

*Speed:* Speed of propeller shaft is determined by fluid, 3000 RPM maximum

*Air Supply:* Air supply to the motor should be 60 psi gauge pressure minimum.

*An air filter and moisture trap is recommended.*

#### Specifications:

Model Number:	41-3306	41-3312	31-133
<b>Includes:</b>	Agitator & Drive Assembly Only	Agitator & Drive Assembly Only	Agitator Drive and Cover Assembly
<b>Shaft/Propeller Material:</b>	Steel	Stainless Steel	Stainless Steel
<b>Container Size:</b>	5 Gallon Pail	5 Gallon Pail	5 Gallon Pail
<b>No. of Propellers or Paddles:</b>	1	1	1
<b>Propeller/Paddle Diameter:</b>	3-1/8 in.	3-1/8 in.	3-1/8 in.
<b>Shaft Speed:</b>	To 3000 RPM	To 3000 RPM	To 3000 RPM
<b>Air Drive</b>			
<b>Type:</b>	Direct	Direct	Direct
<b>HP:</b>	1/4	1/4	1/4
<b>CFM:</b>	10-14	10-14	10-14
<b>Shipping Weight:</b>	12 lbs.	12 lbs.	33 lbs.
<b>Part Sheet Reference:</b>	77-1474	77-1474	—



### ■ Model 41-3205

- Cover for open-top container
- Used for 5-gallon container
- For Pogo, Pogo B, and Transmatic
- Shipping Wt.: 5-1/2 lbs.
- Ref. Part Sheet: 77-1470



**Sales and Service  
Through a Nationwide Network of Industrial Distributors**



**North American Office**

ITW Industrial Finishing  
Binks  
195 Internationale Blvd.  
Glendale Heights, IL 60139  
630-237-5000  
Fax 630-237-5003  
[www.binks.com](http://www.binks.com)  
Customer Service  
1-800-992-4657  
Technical Support  
1-888-992-4657

