

DEVILBISS

EN



SB-E-2-977 ISS.01

CE Ex II 2 G X

Technical Bulletin

VRIPRO Trans-tech® Gravity Spray Gun



Table of Contents

| Topic | Page |
|--|------|
| EC Declaration of Conformity | 3 |
| Part Numbers | 3 |
| Operational Description | 3 |
| Kit contents | 4 |
| Construction Features | 4 |
| Materials of Construction | 4 |
| Specifications & Technical Data | 4 |
| Safety Precautions | 5 |
| Parts List | 6 |
| Exploded parts View | 7 |
| Installation, Operation, Preventive Maintenance & Cleaning | 8 |
| Parts Replacement/Maintenance | 9 |
| A. Servicing Air Valve | 9 |
| B. Replacing Air Valve | 10 |
| C. Needle Packing, Fluid Insert, Spreader Valve Assembly | 11 |
| D. Separator Seal Replacement | 12 |
| E. Chart 1 – Air Caps, Chart 2 – Fluid Nozzles & Fluid Needles | 13 |
| Troubleshooting Possible Problems in Operation | 14 |
| Accessories | 16 |
| Warranty | 16 |

EC Declaration of Conformity

We, ITW Finishing UK, Ringwood Rd, Bournemouth, Dorset, BH11 9LH, UK, as the manufacturer of the Spray gun model **VRIPRO**, declare, under our sole responsibility, that the equipment to which this document relates is in conformity with the following standards or other normative documents:

BS EN 292-1 PARTS 1 & 2: 1991, BS EN 1953: 1999; and thereby conform to the protection requirements of Council Directive 98/37/EEC relating to Machinery Safety Directive, and;

EN 13463-1:2001, council Directive 94/9/EC relating to Equipment and Protective Systems intended for use in Potentially Explosive Atmospheres protection level II 2 G X. This product also complies with the requirements of the EPA guidelines, PG6/34. Transfer efficiency certificates are available on request.



B. Holt, Vice President
30th April 2010

ITW Finishing Systems and Products reserve the right to modify equipment specification without prior notice.

Part Numbers

The ordering code for the **VRIPRO** Spray gun is;

e.g. VRIPRO-TV1-13 where;

TV1 = TV1 Aircap
13 = 13 Nozzle

See charts 1 & 2 p13 for available Aircap/Nozzle sizes

Operational Description

This **VRIPRO** Spray Gun is a professional quality gun designed with EPA compliant, Trans-Tech® technology. Trans-Tech® complies with EPA by obtaining transfer efficiency above 65%.

IMPORTANT: These Sprayguns are suitable for use with both waterbased and solvent based coating materials. These guns are not designed for use with highly corrosive and/or abrasive materials and if used with such materials it must be expected that the need for cleaning and/or replacement of parts will be increased. If there is any doubt regarding the suitability of a specific material, contact your DeVilbiss Distributor or DeVilbiss direct.

NOTE: This gun is not to be used with halogenated hydrocarbon solvents or cleaning agents such as 1,1,1,-Trichloroethane or methylene chloride. These solvents can react with the aluminium components used in this gun and cup. The reaction can become violent and lead to an equipment explosion.

| Kit contents (all models) | | | |
|----------------------------------|--|---|-----------------------------|
| 1 | VRIPRO Gravity Feed Spraygun | 1 | Spanner (10mm and 14mm A/F) |
| 1 | GFC Gravity feed cup | 1 | Torx/Flat blade screwdriver |
| 1 | Cup Filter | 1 | Cleaning Brush |
| 1 | Set of 4 coloured identification rings | 1 | Service bulletin |

| Construction Features | | | |
|------------------------------|---|----|--|
| 1 | Air Cap (nickel plated brass for long durability) | 10 | Fan Air Adjustment (stepless regulation for fan to round spray) |
| 2 | Air Cap Retaining Ring (allows easy rotation of air cap) | 11 | Fluid Adjustment (stepless regulation of fluid volume) |
| 3 | Fluid Nozzle (ideal for most paint systems) | 12 | Interchangeable Colour ID System (4 coloured rings supplied) |
| 4 | Fluid Needle (grooved stem for easy removal) | 13 | Anodised, forged aluminium gun body (ergonomic, good looking & durable, easy to clean) |
| 5 | Fluid Inlet (3/8 BSP thread – accepts DeVilbiss and most other cup systems) | 14 | 500cc Acetal Cup (easy clean, anti-static) |
| 6 | Air Inlet (universal thread, accepts G 1/4 & 1/4 NPS) | 15 | Cup Lid with Drip Free Vent (avoid drips) |
| 7 | Self Adjusting Needle Packing (for trouble free operation) | 16 | Air Valve (design offers low pull force & low pressure drop) |
| 8 | Trigger (ergonomic for comfort) | 17 | Gun acceptable for waterborne and solvent borne applications |
| 9 | Trigger Stud & Screw (easy replacement design) | | |

| Materials of Construction | |
|--|-----------------------|
| Gun Body | Anodised aluminium |
| Air Cap, | Nickel plated brass |
| Fluid Nozzle, Fluid Needle, Fluid Inlet, Trigger Stud | Stainless steel |
| Adjusting Knobs | Anodized aluminium |
| Springs, Clips, Screws | Stainless steel |
| Seals, Gaskets | Solvent resistant |
| Trigger | Chrome plated steel |
| Air Inlet, Body Bushing, Spreader Valve Body, Air Valve Nut, Air Cap Retaining Ring, | Chrome plated brass |
| Air Valve Assembly | Stainless Steel, HPDE |

| Specifications & Technical Data | |
|--|--------------------------------------|
| Air Supply Connection | Universal 1/4" BSP and 1/4" NPS male |
| Maximum Static Air Inlet Pressure | P1 = 12 bar (175 psi) |
| Gun Air Inlet Pressure with gun triggered. | 2.0 bar (29 psi) |
| Fluid Supply Connection | 3/8" BSP |
| Service Temperature | 0 to 40°C (32 to 104°F) |
| Gun Weight (gun only) | 482g |
| (with cup) | 665g |



SAFETY WARNINGS

Fire and explosion



Solvents and coating materials can be highly flammable or combustible when sprayed. ALWAYS refer to the coating material supplier's instructions and COSHH sheets before using this equipment.



Users must comply with all local and national codes of practice and insurance company requirements governing ventilation, fire precautions, operation and house-keeping of working areas.



This equipment, as supplied, is NOT suitable for use with Halogenated Hydrocarbons.



Static electricity can be generated by fluid and/or air passing through hoses, by the spraying process and by cleaning non-conductive parts with cloths. To prevent ignition sources from static discharges, earth continuity must be maintained to the spray gun and other metallic equipment used. It is essential to use conductive air and/or fluid hoses.



Personal Protective Equipment



Toxic vapours – When sprayed, certain materials may be poisonous, create irritation or be otherwise harmful to health. Always read all labels, safety data sheets and follow any recommendations for the material before spraying. If in doubt, contact your material supplier.



The use of respiratory protective equipment is recommended at all times. The type of equipment must be compatible with the material being sprayed.



Always wear eye protection when spraying or cleaning the spray gun.



Gloves must be worn when spraying or cleaning the equipment.

Training – Personnel should be given adequate training in the safe use of spraying equipment.

Misuse

Never aim a spray gun at any part of the body.

Never exceed the maximum recommended safe working pressure for the equipment.

The fitting of non-recommended or non-original spares may create hazards.

Before cleaning or maintenance, all pressure must be isolated and relieved from the equipment.

The product should be cleaned using a gun-washing machine, and should be removed and dried immediately after cleaning is completed. Prolonged exposure to cleaning solutions can cause damage to the product.

Noise Levels



The A-weighted sound level of spray guns may exceed 85 dB (A) depending on the set-up being used. Details of actual noise levels are available on request. It is recommended that ear protection is worn at all times when spraying.

Operating

Spray equipment using high pressures may be subject to recoil forces. Under certain circumstances, such forces could result in repetitive strain injury to the operator.

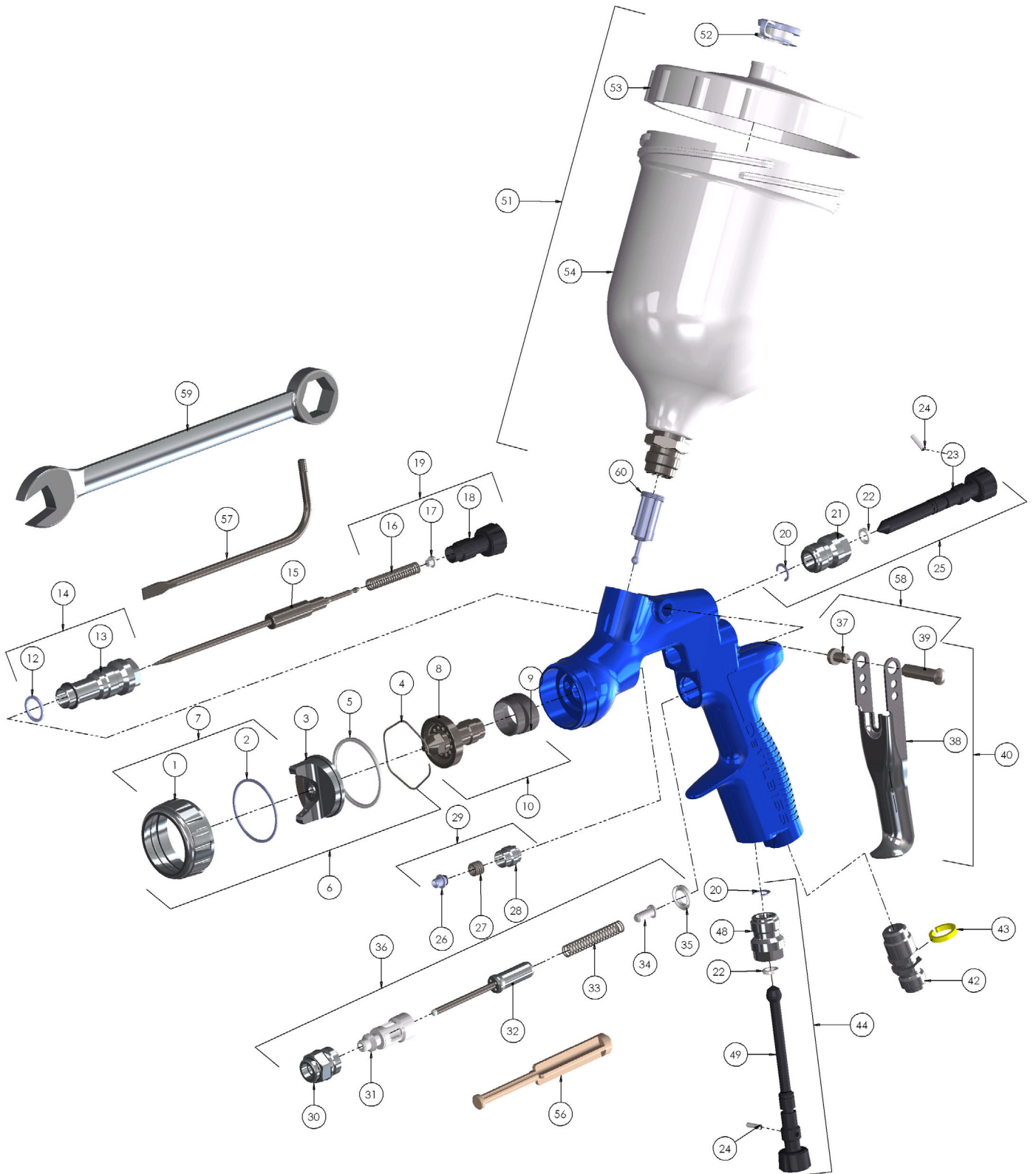
PARTS LIST

| REF. NO. | DESCRIPTION | PART NO. | QTY |
|----------|--|--------------------|-----|
| 1 | Air Cap Retaining Ring | - | 1 |
| 2 | Slip Ring | - | 1 |
| 3 | Air Cap | - | 1 |
| 4 | Air Cap Retaining Clip | JGA-156-K5 | 1 |
| 5 | Retaining Ring Seal | - | 1 |
| 6 | Aircap & Ring | See chart 1 p13 | 1 |
| 7 | Air Cap Retaining Ring & Seals | ADV-403-K | 1 |
| 8 | Fluid Nozzle | - | 1 |
| 9 | Separator | SP-626-K5 | 1 |
| 10 | Fluid Nozzle Kit | See chart 2 p13 | 1 |
| *12 | Body Bushing Seal | - | 1 |
| 13 | Body Bushing | - | 1 |
| 14 | Body Bushing & Seal | SN-6-K | 1 |
| 15 | Fluid Needle | See chart 2 p13 | 1 |
| *16 | Needle Spring | - | 1 |
| *17 | Needle Spring Pad | - | 1 |
| 18 | Fluid Adjusting Knob | - | 1 |
| 19 | Fluid Adjusting Knob, Spring & Pad Kit | ADV-6-K | 1 |
| *20 | Retaining Clip | - | 2 |
| 21 | Spreader Valve Body | - | 1 |
| *22 | Spreader Valve Seal | - | 2 |
| 23 | Spreader Valve Adjusting Knob | - | 1 |
| *24 | Spreader Valve Pin | - | 2 |
| 25 | Spreader Valve Assembly | ADV-402-K | 1 |
| *26 | Needle Packing | - | 1 |
| *27 | Packing Spring | - | 1 |
| *28 | Packing Nut | - | 1 |
| 29 | Packing, Spring & Packing Nut Kit | SN-404-K | 1 |
| 30 | Air Valve Body | - | 1 |

| REF. NO. | DESCRIPTION | PART NO. | QTY |
|----------|--------------------------------|-----------|-----|
| 31 | Air Valve Cage | - | 1 |
| 32 | Air Valve Poppet | - | 1 |
| 33 | Air Valve Spring | - | 1 |
| 34 | Air Valve Spring Pad | - | 1 |
| 35 | Air Valve Seal | SN-34-K5 | 1 |
| 36 | Air Valve Assembly | SN-402-K | 1 |
| *37 | Trigger Stud Screw (T20 TORX) | - | 1 |
| 38 | Trigger | - | 1 |
| *39 | Trigger Stud | - | 1 |
| 40 | Trigger, Stud & Screw Kit | SN-63-K | 1 |
| 42 | Air Inlet | SN-9-K | 1 |
| 43 | Colour ID Ring Kit (4 Colours) | SN-26-K4 | 1 |
| 44 | Airflow Valve | ADV-401-K | 1 |
| 48 | Valve Body | - | 1 |
| 49 | Valve Stem | - | 1 |
| 51 | Gravity Cup Kit | GFC-501 | 1 |
| 52 | Drip Check Lid (kit of 5) | GFC-2-K5 | 1 |
| 53 | Gravity Cup Lid | GFC-402 | 1 |
| 54 | Gravity Cup | - | 1 |
| 56 | Air valve Service Tool | - | 1 |
| 57 | Torx Key | SPN-8-K2 | 1 |
| 58 | Stud and Screw kit | SN-405-K5 | 1 |
| 59 | Spanner | SN-28-K | 1 |
| 60 | Filter | KGP-5-K5 | 1 |
| | | | |

SERVICE PARTS

| | |
|--|------------|
| Spray Gun repair kit (includes items marked *) | PRO-415-1 |
| Seal and Pin Kit, kit of 5 (items 20, 22 and 24) | GTI-428-K5 |
| For accessories, see page 17 | |



PATENT GB2417544

INSTALLATION

For maximum transfer efficiency, do not use more pressure than is necessary to atomise the material being applied.

1. Connect the gun to a clean, moisture and oil free air supply using a conductive hose, of at least 8 mm I.D.

NOTE

Depending on hose length, larger I.D. hose may be required. Install an air gauge at the gun handle. When gun is triggered on, adjust regulated pressure to 2.0 bar. Do not use more pressure than is necessary to atomise the material being applied. Excess pressure will create additional overspray and reduce transfer efficiency.

NOTE

If quick connect couplings are required, use only high flow quick connects approved for HVLP use. Other types will not flow enough air for correct gun operation.

NOTE

If an air adjusting valve is used at the gun inlet, use DGIPRO-502-bar Digital Gauge. Some competitive adjusting valves have significant pressure drop that can adversely affect spray performance. The DGIPRO Digital Gauge has minimal pressure drop, which is important.

2. Insert the filter (39) into the inlet of the Gravity Cup. Make sure the body of the filter is pushed fully so the body of the filter does not protrude from the cup insert.
3. Attach the gravity feed cup to the material inlet.



NOTE

Before using the gun, flush it with solvent to ensure that the fluid passages are clean.

OPERATION

1. Mix coating material to manufacturer's instructions and strain material.
2. Fill the cup to no more than 20 mm from the top of the cup. DO NOT OVERFILL.
3. Attach Cup Lid.
4. Turn fluid adjusting knob (18) clockwise to prevent fluid needle movement.
5. Turn spreader valve adjusting knob (23) counter clockwise to fully open.
6. Adjust inlet air pressure if required.
7. Turn fluid adjusting knob (18) counter clockwise until first thread shows.
8. Test spray. If the finish is too dry, reduce airflow by reducing air inlet pressure.
9. If finish is too wet, reduce fluid flow by turning fluid adjusting knob (18) clockwise. If atomisation is too coarse, increase inlet air pressure. If too fine, reduce inlet pressure.

10. The pattern size can be reduced by turning spreader valve knob (23) clockwise.
11. Hold gun perpendicular to surface being sprayed. Arcing or tilting may result in uneven coating.
12. The recommended spray distance is 150-200 mm.
13. Spray edges first. Overlap each stroke a minimum of 75%. Move gun at a constant speed.
14. Always turn off air supply and relieve pressure when gun is not in use.

PREVENTIVE MAINTENANCE & CLEANING

To clean air cap and fluid nozzle, brush exterior with a stiff bristle brush. If necessary to clean cap holes, use a broom straw or toothpick if possible. If a wire or hard instrument is used, extreme care must be used to prevent scratching or burring of the holes which will cause a distorted spray pattern.

To clean fluid passages, remove excess material from cup, then flush with gun wash solution. Wipe the gun exterior with a dampened cloth. Never completely immerse in any solvent or cleaning solutions as this is detrimental to the lubricants and life of the spray gun.

NOTE

When replacing the fluid nozzle or fluid needle, replace both at the same time. Using worn parts can cause fluid leakage. See page 13, Chart 2. Also, replace the needle packing at this time. Torque the fluid nozzle to 9–11 Nm. Do not over tighten.

CAUTION

To prevent damage to fluid nozzle (8) or fluid needle (15), be sure to either 1) pull the trigger and hold while tightening or loosening the fluid nozzle, or 2) remove fluid adjusting knob (18) to relieve spring pressure against needle collar.

CAUTION

IMPORTANT– the Gravity cup is made from special anti-static materials, but it is still important to avoid generating static charges. The Cup must not be cleaned or rubbed with a dry cloth or paper. It is possible to generate a static charge by rubbing which, if discharged to an earthed object could create an incendive spark and cause solvent vapours to ignite. Only use a dampened cloth or antistatic wipes if manual cleaning is required within a hazardous area.

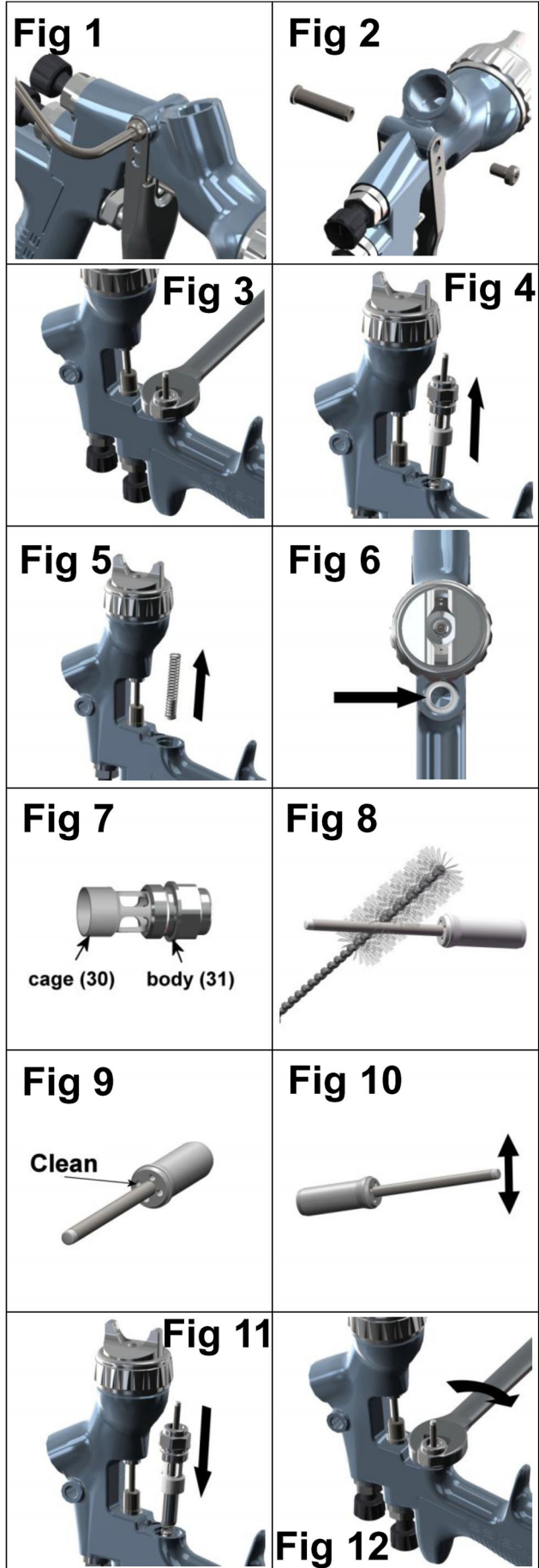
Parts Replacement/Maintenance

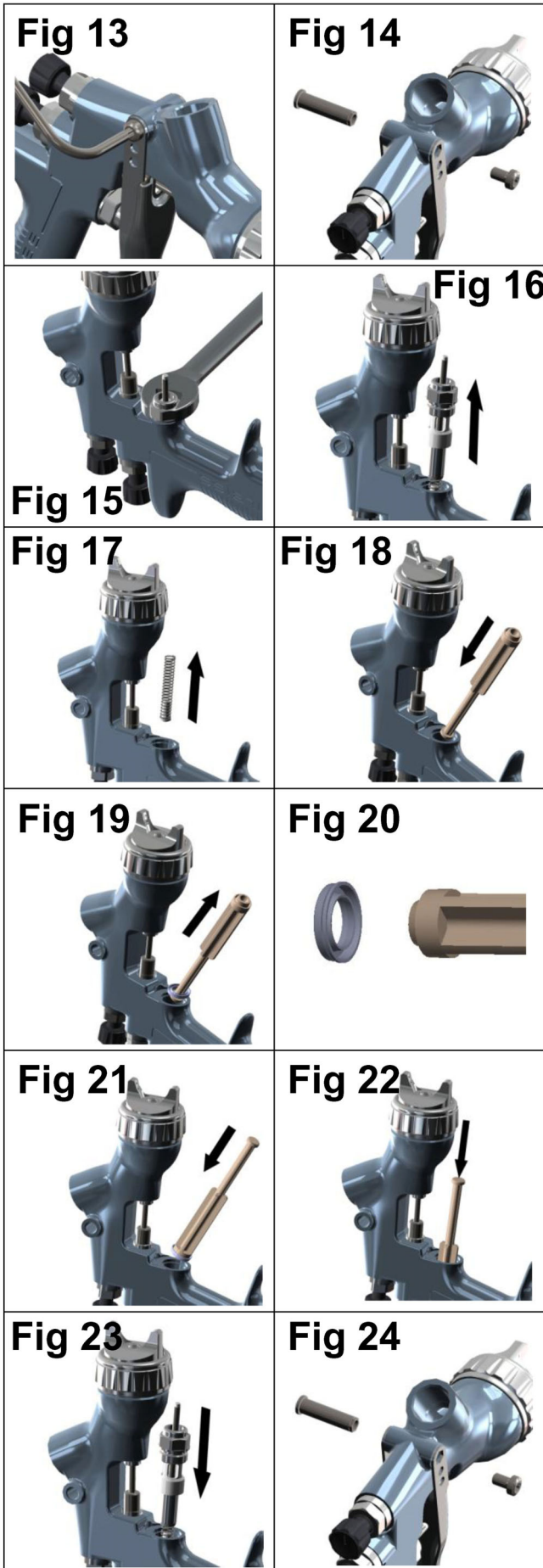
AIR VALVE INSTRUCTIONS

Servicing Air Valve

Reasons to service air valve:

- A) Air valve not functioning correctly (may need cleaning).
 - B) Routine maintenance.
 - C) Air leaks (advise replacement, see p10)
1. Remove trigger using the tool supplied (57) or TORX T20 key. (See fig 1 & 2)
 2. Unscrew air valve using 14 mm spanner (59). (See fig 3)
 3. Remove air valve by gripping stem. (See fig 4)
 4. Remove spring with spring pad. (See fig 5)
 5. DO NOT REMOVE REAR SEAL (35) FROM GUN BODY. (See fig 6)
 6. DO NOT REMOVE PLASTIC CAGE FROM AIR VALVE BODY AS THIS MAY DAMAGE THE CAGE. (See fig 7)
 7. CLEAN
 - a. Remove all paint build up. (See fig 8)
 - b. The 4 poppet holes must be clear. (See fig 9)
 - c. Stem must be free to float in poppet. (See fig 10)
 - d. Stem must slide through cage bore with slight resistance (due to seal).
 - e. Rear seal must look clean and in position in the bore. (See fig 6)
 - f. If any of the above cannot be rectified, replace the air valve (See Replacing Air Valve p10).
 8. Replace spring ensuring the end with the plastic bearing pad goes in first. (See fig 5)
 9. Insert air valve assembly into gun and carefully feed over the spring and through the rear seal. (See fig 11)
 10. Tighten air valve assembly using fingers first, and then tighten with 14mm Spanner (59). (See figs 12 & 3)
 11. Replace trigger. (See figs 2 & 1)
 12. If there is an air leak through the gun, the air valve may need replacing (See Replacing Air Valve).





Replacing Air Valve

Reasons to replace air valve:

- A) Air leak through the gun.
- B) Air valve not operating correctly.

1. Remove trigger using key (57) or TORX (T20) key provided in the kit. (See figs 13 & 14)
2. Unscrew air valve using 14 mm Spanner (59). (See fig 15)
3. Remove air valve by gripping the stem. (See fig 16)
4. Remove spring with spring pad. (See fig 17)
5. Hook out rear seal using Service Tool (56). (See figs 18 & 19)
6. Clean air valve bores in gun body with the brush supplied in the kit.
7. Place new rear seal onto Service tool (56); grooves must fit in service tool form. (See fig 20)
8. Push rear seal firmly into hole up to shoulder, using Service tool. (See figs 21 & 22)
9. Insert new spring, ensuring the end with the plastic bearing pad goes in first. (See fig 17)
10. Insert air valve assembly into gun and carefully feed over the spring and through the rear seal. (See fig 23)
11. Tighten air valve assembly using fingers first, then tighten with 14mm Spanner (59). (See figs 24 & 15)
12. Replace trigger. (See figs 14 & 13)

Parts Replacement/Maintenance

NEEDLE PACKING

REPLACEMENT INSTRUCTIONS

13. Remove trigger using key (57) or TORX (T20) driver. (See figs 25 & 26)
14. Remove fluid adjusting knob and needle spring with spring pad from gun. (See figs 27 & 28)
15. Remove fluid needle from gun body. (See fig 29)
16. Loosen and remove packing nut using Key (57) or a straight blade screwdriver. (See figs 30 & 31)
17. Discard old packing and packing spring if replacing. Clean packing if reusing. Also clean packing spring and nut. (See fig 32).
18. Re-assemble the packing, (See fig 32). Assemble into gunbody by hand (see fig 33) and then tighten. (See figs 30 and 31)
19. Insert fluid needle all the way into gun body seating in fluid nozzle (See fig 34).
20. Insert needle spring, spring pad, and fluid adjusting knob. (See figs 28 & 27). Reinstall trigger. (See figs 25 & 26).
21. Trigger gun fully and screw in fluid adjusting knob until it stops. Back it off 1/2 turn and gun will have full needle travel.
22. Trigger gun several times to verify correct operation.

FLUID SUPPLY INSERT

The fluid insert and seal are NOT replaceable.

Do not remove these parts.

No maintenance is required for these parts other than regular cleaning.

SPREADER VALVE ASSEMBLY REPLACEMENT/MAINTENANCE

The spreader valve assembly can be replaced if damaged. Remove using 14 mm Spanner (59) (See figs 35 & 36). The internal seal can be replaced and is included in the VRIPRO PRO Gun Rebuild Kit.

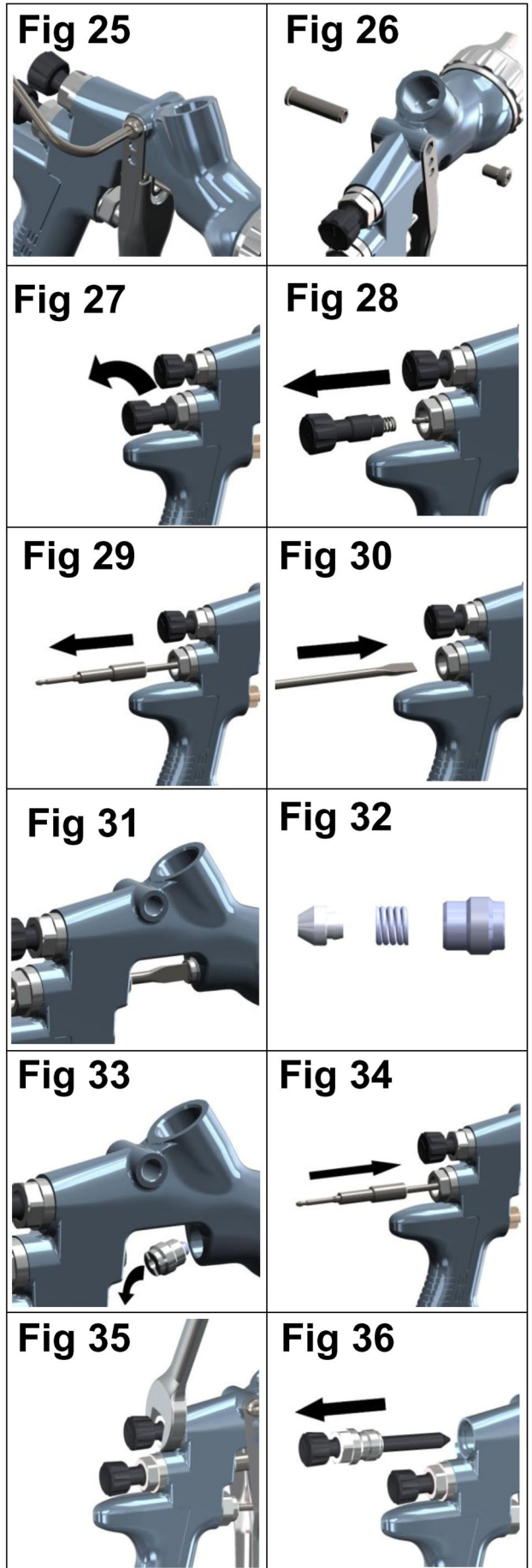
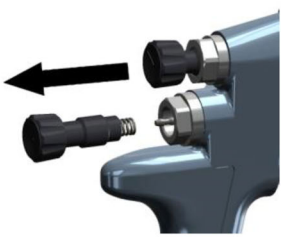
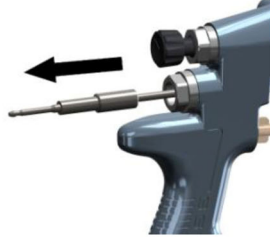


Fig 37**Fig 38****Fig 39****Fig 40****Fig 41****Fig 42****Fig 43****Fig 44****Fig 45****Fig 46****Fig 47**

Parts Replacement/ Maintenance

SEPARATOR SEAL REPLACEMENT

1. Remove air cap and retaining ring. (See fig 37)
2. Remove fluid adjusting knob, spring, and spring pad. (See figs 38 & 39)
3. Remove fluid needle from gun body. (See fig 40)
4. Remove fluid nozzle using 10mm Spanner (59). (See figs 41, & 42)
5. Remove Separator. (See fig 43).
6. Clean front of gun if required, using a soft brush, as well as the fluid nozzle, air cap, and retaining ring.
7. Place a new Separator Seal into the front of the gun, making sure the elliptical side of the seal is engaged into the recess in the gun. (See fig 44).
8. Fit Fluid Nozzle, Air Cap, and Retaining Ring. Torque the Fluid Nozzle to 9–11 Nm (80–100 lbs.in). Don't over torque the Fluid Nozzle. (See figs 45, 46, and 37)
9. Insert Fluid Needle all the way into the Gun Body, seating in the Fluid Nozzle. (See fig 47)
10. Reassemble Needle Spring, Spring Pad, and Fluid adjusting Knob. (See fig 47)
11. Trigger gun fully and screw in Fluid Adjusting Knob until it stops. Back it off 3 turns and gun will have full needle travel.
12. Trigger gun several times to verify correct operation (see fig 48).

Parts Replacement/Maintenance

Chart 1 – Air Caps

| PART No. FOR AIR CAP | TECHNOLOGY | MARKING ON AIR CAP | RECOMMENDED INLET PRESSURE (bar) | AIR FLOW (L/min) @ 2 bar |
|----------------------|-------------|--------------------|----------------------------------|--------------------------|
| VRIPRO-100-TV1-K | TRANS-TECH® | TV1 | 2.0 | 283 |

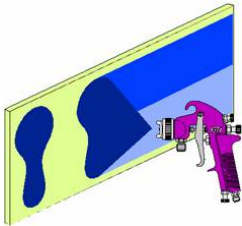
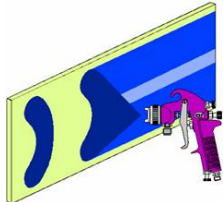
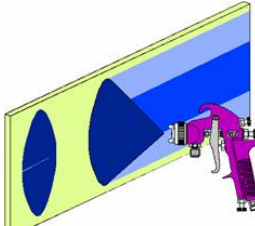
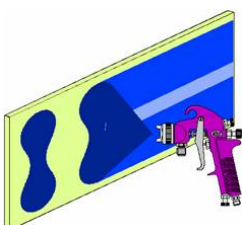
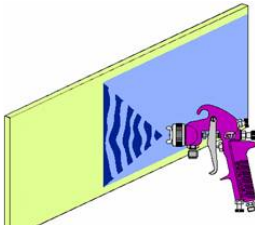
NOTE: When removing air cap from retaining ring, don't remove the Slip Ring (2) or Retaining Ring Seal (5) from the Retaining Ring. Damage to the parts may occur. Slip ring and Retaining Ring seal are not available as replacements. Simply wipe parts clean and reassemble with new or clean air cap.

Chart 2 – Fluid Nozzle Range & Fluid Needle

| PART No. ON FLUID NOZZLE | PART No. NEEDLE | FOR AIRCAPS |
|--------------------------|-----------------|-------------|
| SP-200S-12-K | ADV-310-12-K | TV1 |
| SP-200S-13-K | ADV-310-13-K | |

NOTE: When replacing the fluid nozzle or fluid needle, replace both at the same time. Torque to 9–11 Nm (80–100 ft-ins). Don't over tighten the fluid nozzle. Use SN-28 10mm Spanner supplied with the gun and check with a torque wrench.

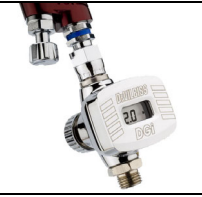








Troubleshooting Possible Problems in Operation

| CONDITION | CAUSE | CORRECTION |
|--|---|--|
| <p>Heavy top or bottom pattern</p>  <p>Heavy right or left side pattern</p>  | <p>Horn holes plugged.</p> <p>Obstruction on top or bottom of fluid nozzle.</p> <p>Cap and/or nozzle seat dirty.</p> <p>Left or right side horn holes plugged.</p> <p>Dirt on left or right side of fluid nozzle.</p> | <p>Clean. Ream with non-metallic point.</p> <p>Clean.</p> <p>Clean.</p> <p>Clean. Ream with non-metallic point.</p> <p>Clean.</p> |
| <p>Remedies for the top-heavy, bottom-heavy, right-heavy, and left-heavy patterns:</p> <p>1. Determine if the obstruction is on the air cap or the fluid nozzle. Do this by making a test spray pattern. Then, rotate the cap one-half turn and spray another pattern. If the defect is inverted, obstruction is on the air cap. Clean the air cap as previously instructed. Also check for dried paint just inside the cap centre hole opening; remove by washing with solvent.</p> <p>2. If the defect is not inverted, it is on the fluid nozzle. Clean nozzle. If problem persists, renew nozzle.</p> | | |
| <p>Heavy centre pattern</p>  | <p>Spreader adjustment valve set too low.</p> <p>Atomising pressure too low.</p> <p>Material too thick.</p> | <p>Turn out counter clockwise to achieve correct pattern.</p> <p>Increase pressure.</p> <p>Thin to correct consistency.</p> |
| <p>Split spray pattern</p>  | <p>Air pressure too high.</p> <p>Fluid adjusting knob turned in too far.</p> <p>Spreader adjusting valve set too high.</p> | <p>Reduce at regulator or gun handle.</p> <p>Turn out counter clockwise to achieve correct pattern.</p> <p>Turn in clockwise to achieve correct pattern.</p> |
| <p>Jerky or fluttering spray</p>  | <p>Loose or damaged fluid nozzle/seat</p> <p>Loose or broken cup fluid nipple</p> <p>Material level too low</p> <p>Container tipped too far</p> <p>Obstruction in fluid passage</p> <p>Loose fluid needle packing nut</p> <p>Damaged fluid needle packing</p> | <p>Tighten or replace</p> <p>Tighten or replace cup</p> <p>Refill</p> <p>Hold more upright</p> <p>Back flush with solvent</p> <p>Tighten</p> <p>Replace</p> |
| <p>Paint bubbles in cup</p> | <p>Fluid nozzle not tight.</p> | <p>Fluid nozzle not tight. Tighten to 14–16 Nm (10-12 ft-lbs).</p> |
| <p>Fluid leaking or dripping from cup lid</p> | <p>Cup lid loose.</p> <p>Dirty cup or lid.</p> <p>Cracked cup or lid.</p> | <p>Push in or replace.</p> <p>Clean.</p> <p>Replace cup and lid.</p> |

Troubleshooting Possible Problems in Operation (cont)

| | | |
|--|---|--|
| Starved spray pattern | Inadequate material flow Blocked vent in Cup lid Low atomisation air pressure | Wind fluid adjusting knob out or change to larger fluid nozzle size Clean lid and unblock vent Increase air pressure and rebalance gun. |
| Excessive overspray | Air pressure too high. Gun too far from work surface. | Reduce air pressure. Adjust to correct distance. |
| Dry spray | Air pressure too high. Gun too far from work surface. Gun motion too fast. Fluid flow too low. | Reduce air pressure. Adjust to correct distance. Slow down. Wind out needle adjusting screw or use larger nozzle size. |
| Fluid leaking from packing nut | Packing worn. | Replace. |
| Fluid leaking or dripping from front of gun | Fluid nozzle or fluid needle worn or damaged. Foreign matter in fluid nozzle. Fluid needle dirty or stuck in needle packing Wrong size fluid needle or fluid nozzle. | Replace fluid nozzle and fluid needle. Clean. Clean Replace fluid nozzle and fluid needle. |
| Fluid dripping or leaking from bottom of cup | Cup loose on gun. Cup fluid inlet seat dirty. | Tighten Clean. |
| Runs and sags | Too much material flow. Material too thin. Gun tilted on an angle, or gun motion too slow. | Turn fluid adjusting knob clockwise or switch to smaller fluid nozzle and fluid needle size. Mix correctly or apply light coats. Hold gun at right angle to work and adapt to correct gun technique. |

ACCESSORIES

| | | | | | |
|----------------------------|-------------|---|--|----------------------------------|---|
| DGi Digital Pressure Gauge | DGI-501-BAR |  | Gun Stand | GFV-50-F |  |
| Spanner | SN-28-K |  | MC-1-K50 | 600 cc Mixing Cups pack of 50 |  |
| Torx driver | SPN-8-K2 |  | 10m x 8mm bore rubber air hose with ¼ fittings | H-6065-B (BSP) H-6065-N (NPS) |  |
| MPV Swivel | MPV-60-K3 |  | Pack of four QD fittings | MPV-463 |  |
| Cleaning Brush | 4900-5-1-K3 |  | | | |

WARRANTY

This product is covered by ITW Finishing Systems and Products Limited one year warranty.

ITW Finishing Systems and Products
 Ringwood Road,
 Bournemouth,
 BH11 9LH, UK
 Tel. No. (01202) 571111
 Telefax No. (01202) 581940,
 Website address <http://www.itwifeuro.com>

ITW Finishing Systems and Products is a Division of ITW Ltd. Reg. Office: Admiral House, St Leonard's Road, Windsor, Berkshire, SL4 3BL, UK. Registered in England: No 559693 Vat No 619 5461 24