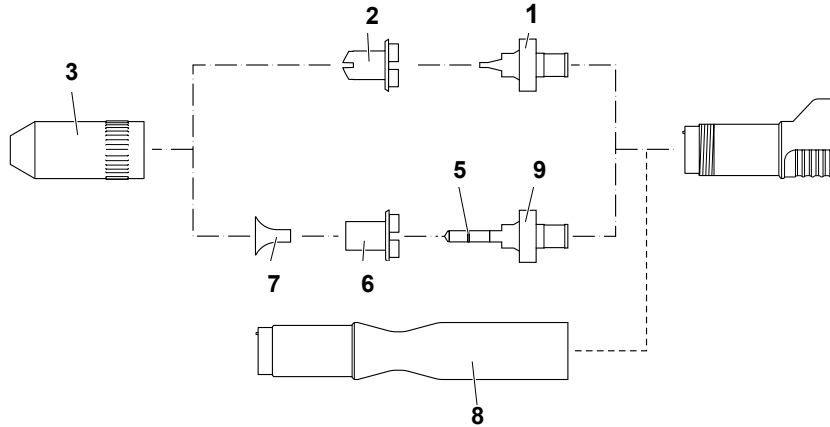
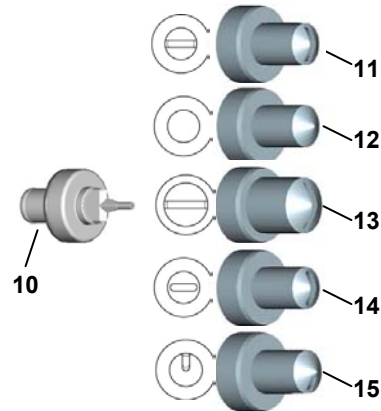


Nozzle Combinations for OptiGun and EasySelect Gun



New Style Nozzles



| Item | Description | Part No. |
|---------------------------|--|----------|
| 1 | Electrode holder (Flat jet nozzle) | 379140# |
| 2 | Flat jet nozzle (Teflon) | 377856# |
| 3 | Threaded sleeve (standard) | 379166 |
| 3.1 | Threaded sleeve (for 24mm and larger nozzles) | 383074 |
| 5 | O-ring - 5 x 1 mm | 110354# |
| 6 | Round jet nozzle | 378518# |
| 7 | Deflectors (require threaded sleeve 379166): | |
| | 16 mm | 107210# |
| | 24 mm | 107209# |
| | 32 mm | 107208# |
| | 50 mm | 117183# |
| | 70 mm | 117184# |
| 8 | Extensions: | |
| | 150 mm | 378852# |
| | 300 mm | 378860# |
| 9 | Electrode holder (round jet nozzle, single electrode, including Item 5) | 382914# |
| Kits: | - | |
| a. | Nozzle set - flat jet (includes Items 1 and 2) | 379620 |
| b. | Nozzle set - flat jet , 24mm (includes Items 379140 and 383058, requires threaded sleeve 383074) | 382809 |
| c. | Nozzle set - round jet (includes Items 9, 5, and 6) | 382922 |
| New Style Nozzles: | | |
| 10 | Electrode holder for new style nozzles | 1000055# |
| 11 | Nozzle, flat jet, 15mm (standard on all Easy/Opti units) | 1000049# |
| 12 | Nozzle, flat jet, blank | 1000118# |
| 13 | Nozzle, flat jet, 24mm (requires threaded sleeve 383074) | 1000120# |
| 14 | Nozzle, flat jet, oval slot | 1000122# |
| 15 | Nozzle, flat jet, sloping oval slot (special , for Boron Nitride units) | 1000124# |
| Kits: | | |
| a. | Nozzle set - flat jet, 15mm (includes Items 10 and 11) | 1000047 |
| b. | Nozzle set - blank (includes Items 10 and 12) | 1000119 |
| c. | Nozzle set - flat jet, 24mm (includes Items 10 and 13, requires threaded sleeve 383074) | 1000121 |
| d. | Nozzle set - oval slot (includes Items 10 and 14) | 1000123 |
| e. | Nozzle set - oval slot (special , for Boron Nitride units, includes Items 10 and 15) | 1000125 |
| Not shown: | | |
| a. | Nozzle, flat jet, 24mm (requires threaded sleeve 383074) | 383058# |
| b. | Nozzle, blank (requires threaded sleeve 379166) | 384887# |
| c. | Nozzle, flat jet, 15mm, oval slot (requires threaded sleeve 379166) | 383082# |

Wear part