



AGMD Automatic Spray Gun

AGMD™ Automatic Spray Gun



Quick Disconnect Automatic Spray Guns For Maximum Throughput in High Production Environments

Downtime hurts the bottom line. Minimize downtime with the DeVilbiss AGMD automatic spray gun. DeVilbiss AGMD spray guns were designed specifically to meet the demands of high production automatic spray painting with robots and/or reciprocators. The AGMD's unique patented "quick release" feature allows the spray gun to be detached from the adapter mounting and replaced without tools for precise repositioning in just seconds. Certified atomization guarantees repeatability and optimal atomization. Available with three mounting options, the AGMD is the best choice when throughput and reliable repeatability are critical to production.

Superior, Reliable Performance For High Production Environments

- HVLP and conventional models available
- Maximum throughput – decreases down time due to line stoppage
- Quick ROI (Return On Investment)
- No tools required for spray gun – changeout in seconds
- Circulating or non-circulating
- Material circulation through spray head
- 100% DeVilbiss – Certified air caps for reliable spray pattern repeatability
- Compact design
- Independent fan and atomization control
- 300 grade stainless fluid tip and needle
- Premium UHMW "soft seat" fluid tip

AGMD Automatic Spray Gun

Mounting Configurations For Maximum Versatility

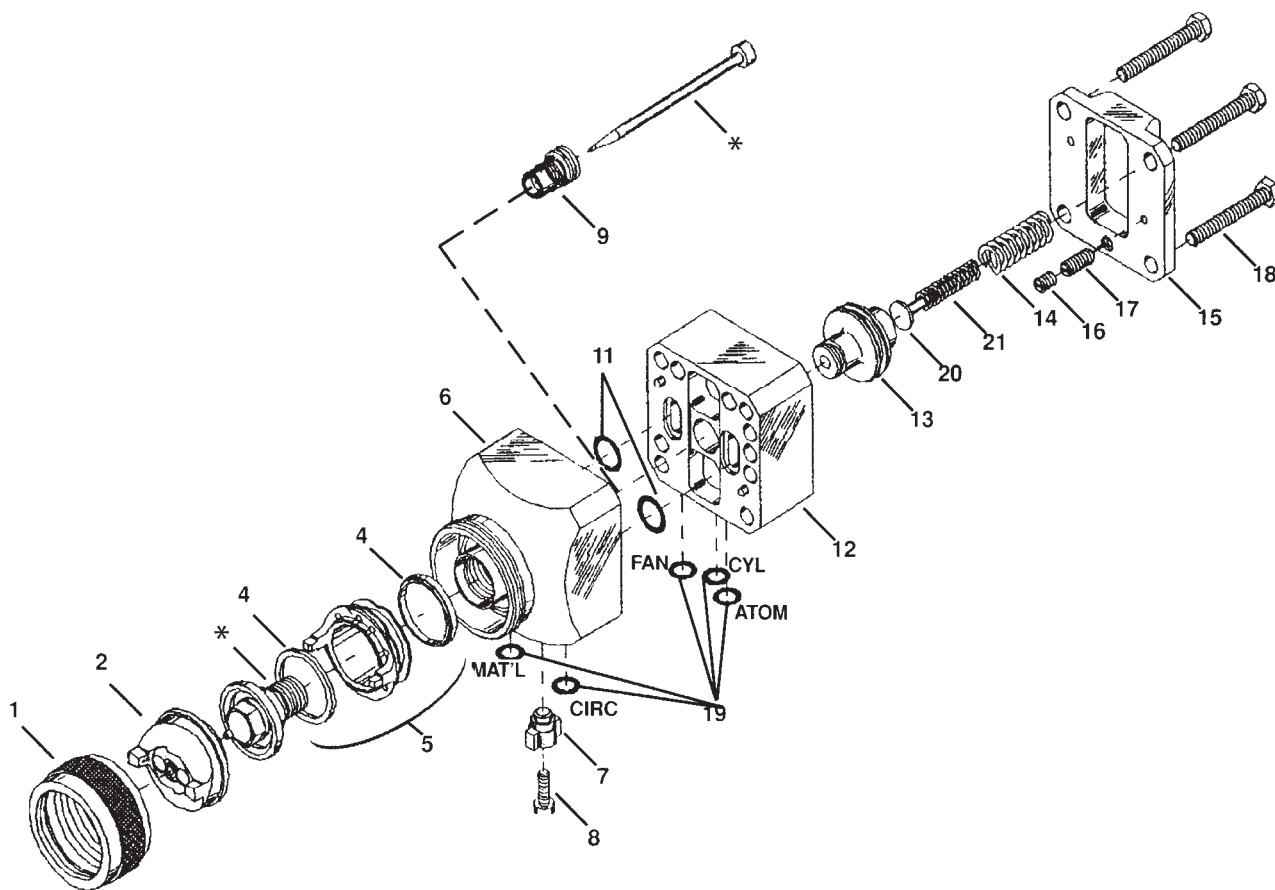
- AGMD Machine Adapter
- AGMD Single Head Robot
- AGMD Dual Head Robot
- Robot and Reciprocator Compatible

Product Information

Contact your DeVilbiss representative for pricing and additional information.

Conventional	AGMD – 514 Series
HVLP	AGMD – 515 Series

AGMD Automatic Spray Gun



Customer Service 1.800.992.4657

Ref. No.	Model No.	Description	Ind. Parts Required
1	MBC-368	Retaining Ring	1
2	See Chart	Air cap	1
4	AGMD-65-1	Gasket	2
5	AGMD-33	Baffle Assembly, (AGMD-514)	1
5	AGMD-34	Baffle Assembly, (AGMD-515)	1
6	AGMD-195	Spray Head	1
7	AGMD-244-1	Locking Device	1
8	AGMD-130	Screw, Socket Head Cap	1
9	AGMD-405-1	Needle Packing Assembly	1
11	SS-2393	O-Ring	2
12	AGMD-217	Gun Body	1
13	AGMD-243-1	Piston	1
14	AGMD-111	Spring	1
15	AGMD-242	Plate, Rear	1
16	AGMD-116	Screw, Set with Slot	1
17	AGMD-115	Screw, Spring Plunger	1
18	AGMD-131	Screw, Hex Head Machined	4
19	AGMD-119	O-Ring, Standard, Waterborne Materials	5
	AGMD-93-K5	O-Ring, Optional, Solventborne Materials	5
20	AGMD-219	Pad, Spring	1
21	AGMD-110	Pressure Spring	1

Fluid Tips

Conventional			HVLP		
FX	.042"	1.1mm	FX	.042"	1.1mm
FF	.055"	1.4mm	FF	.055"	1.4mm
E	.070"	1.8mm			

*Fluid Tip & Needle Combinations, Air Cap Selection, Air Flow

AGMD-514 (Conventional)

Part#*	Air Cap		Fluid Tip and Needle** AGMD-4000-XX ø in.	Viscosity ZAHN #2	Flow Rate cc.min.	Fan Width Inch@10" Target
	Air Flow CFM@psi Inlet Pressure					
AGMD-765C	22@80		FX/.042	Up to 26	Up to 600	15"
AGMD-765C	22@80		FF/.055	Up to 28	Up to 900	15"
AGMD-765C	22@80		E/.070	28 +	Up to 1000	15"
AGMD-797C	21@70		FX/.042	Up to 26	Up to 600	17"
AGMD-797C	21@70		FF/.055	Up to 28	Up to 900	17"
AGMD-797C	21@70		E/.070	28 +	Up to 1000	17"

AGMD-515 (HVLP)

Part#*	Air Cap		Fluid Tip and Needle** AGMD-4600-XX ø in.	Viscosity ZAHN #2	Flow Rate cc.min.	Fan Width Inch@8" Target
	Air Flow CFM@psi Inlet Pressure					
AGMD-46C	22.5		FX/.042	Up to 26	Up to 200	11"
AGMD-46C	22.5		FF/.055	Up to 30	Up to 300	11"

† Certified air caps marked with "C"
 †† Made of high grade stainless steel

Maximum Operating Pressures

Fan and Atomization – 100 psi/7 bar
 Cylinder Air – 100 psi/7 bar
 Fluid Pressure – 200 psi/14 bar



World Headquarters
 ITW Industrial Finishing
 Devilbiss
 195 Internationale Blvd.
 Glendale Heights, IL 60139
 630-237-5000
 Fax 630-237-5011
 www.devilbiss.com

